

Technical data sheet

PERIPOWER peristaltic pump



The peristaltic pump for aggressive and abrasive media



Advantages/features:

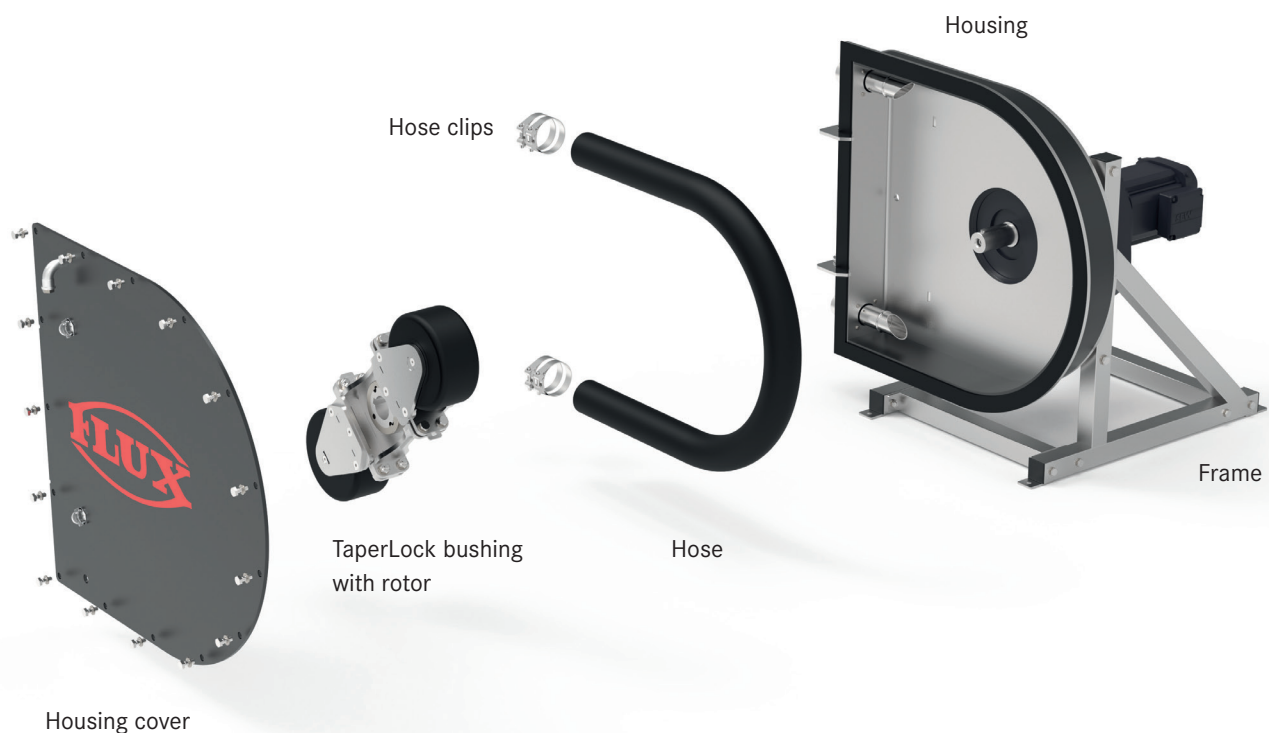
- ▶ Self-priming
- ▶ Safe to run dry
- ▶ Delivery quantity up to 300 m³/h
- ▶ Solids of sizes up to 40 % of the hose diameter can be pumped
- ▶ Simple maintenance and very little required
- ▶ Pumping pressure of up to 10 bar
- ▶ Low energy consumption
- ▶ FDA-compliant hoses available
- ▶ Huge range of applications



Pumps media containing a high proportion of solids and at a flow rate of up to 300 m³/h

The PERIPOWER peristaltic pump is a powerful self-priming positive displacement pump, which impresses customers with its extreme robustness and ease of maintenance. It operates in such a way that abrasive media and media that is sensitive to shearing can be gently pumped. Our peristaltic pumps are ideally designed to efficiently pump media with a viscosity of up to 20,000 mPas, 25 % dry matter content as well as particles with a size of up to 40 % of the hose diameter. You can rely on our pumps to deliver first-class performance in a wide range of applications.

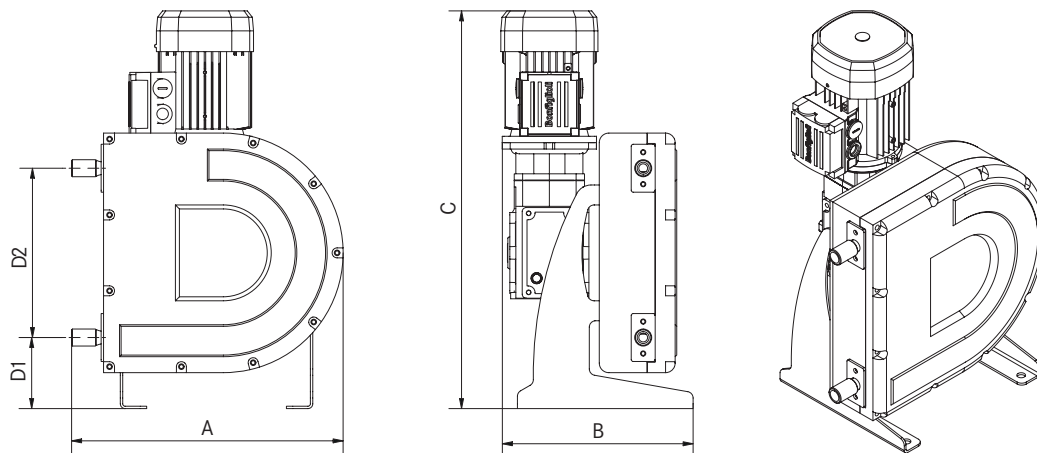
Thanks to our user-friendly design, the hose can be easily replaced in a matter of minutes for convenient maintenance without you requiring a special tool or specialist staff on site, keeping your systems ready for use at all times.



Technical data sheet

PERIPOWER FHP 10, FHP 15 peristaltic pumps

FHP 10, FHP 15



Model	Size	Dimension A	Dimension B	Dimension C	D 1	D 2	Weight	Motor
FHP 10	1/4"	338	270	495	89	217	25 kg	0.37 kW
FHP 15	1/2"	340	270	495	93	208	25 kg	0.37 kW

Technical data for FHP 10

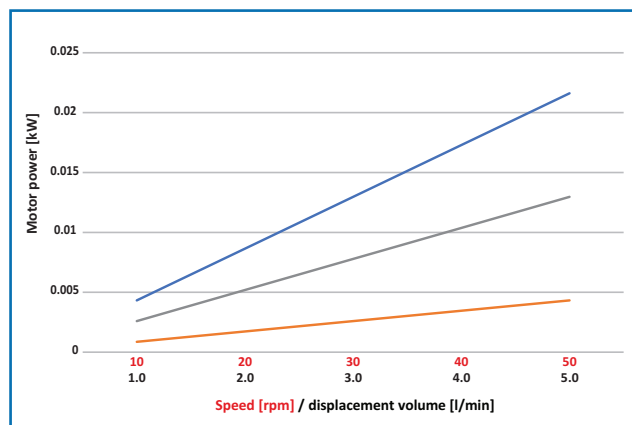
Performance data

Nominal volumetric flow	2.5 l/min at 50 rpm
Operating pressure	5 bar
Motor	0.37 kW
Hose diameter	10 mm
Nominal speed	50 rpm
Output	0.05 l/rev

Materials and connections available

Housing	PU
Hose	NRH, EPDM, NBR, FDA: EPDM, NBR
Connection	3/8" male thread
Weight	approx. 25 kg

Performance curve for FHP 10



Technical data for FHP 15

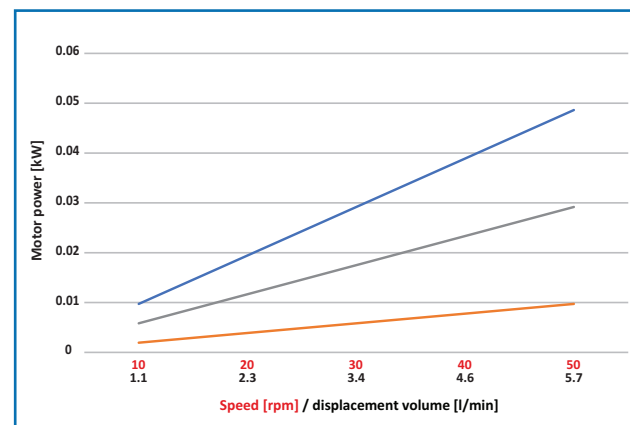
Performance data

Nominal volumetric flow	5.5 l/min at 50 rpm
Operating pressure	5 bar
Motor	0.37 kW
Hose diameter	15 mm
Nominal speed	50 rpm
Output	0.11 l/rev

Materials and connections available

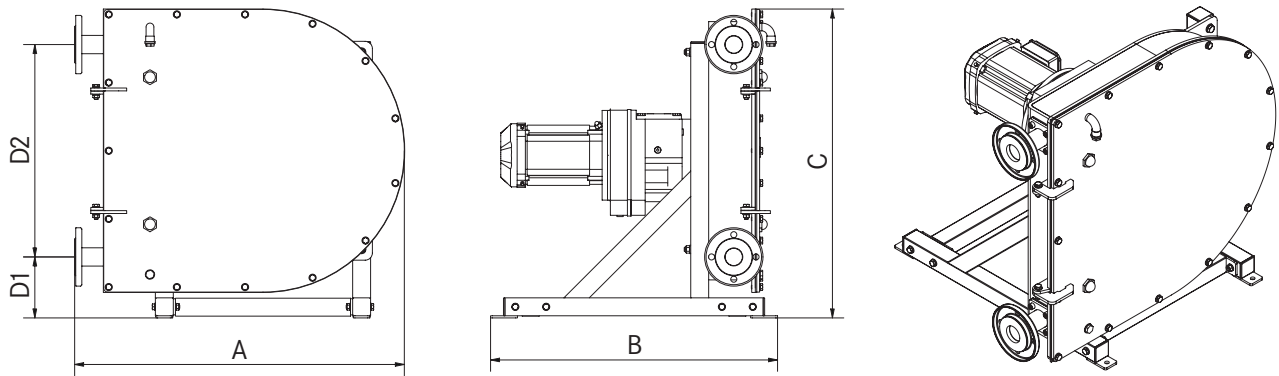
Housing	PU
Hose	NRH, EPDM, NBR, FDA: EPDM, NBR
Connection	1/2" male thread
Weight	approx. 25 kg

Performance curve for FHP 15



Technical data sheet

PERIPOWER FHP 25, FHP 32 peristaltic pumps



Model	Size	Dimension A	Dimension B	Dimension C	D1	D2	Weight	Motor
FHP 25	1"	510	543	543	137	336	65 kg	0.37 kW
FHP 32	1- 1/4"	640	543	675	162	436	105 kg	0.55 kW

Technical data for FHP 25

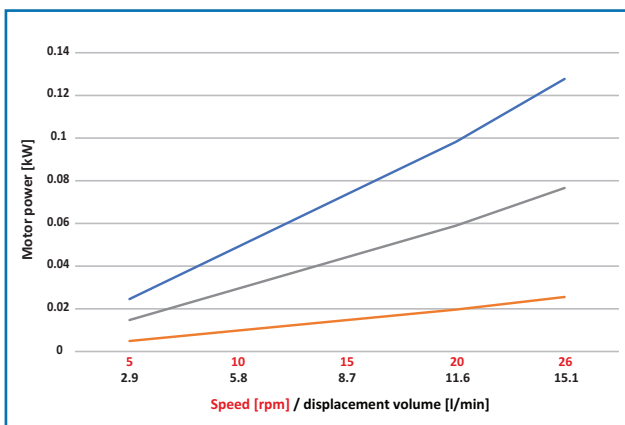
Performance data

Nominal volumetric flow	1000 l/h at 35 rpm
Operating pressure	5 bar
Motor	0.37 kW
Hose diameter	25 mm
Nominal speed	35 rpm
Output	0.48 l/rev

Materials and connections available

Housing	Steel, stainless steel
Hose	NRH, EPDM, NBR, FDA: EPDM, NBR
Connection	1" male thread or DN 25 flange
Weight	approx. 65 kg

Performance curve for FHP 25



— 1 bar — 3 bar — 5 bar

Technical data for FHP 32

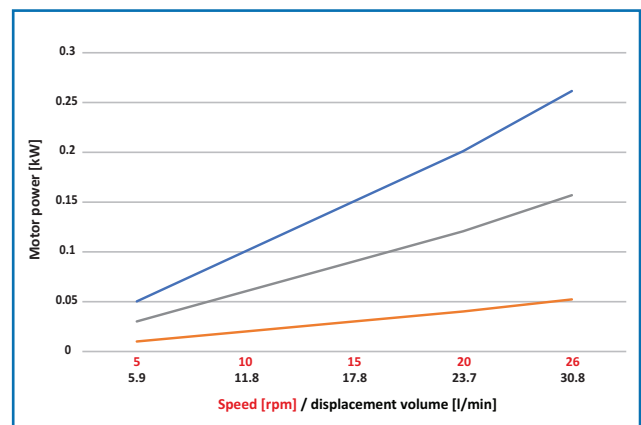
Performance data

Nominal volumetric flow	2000 l/h at 26 rpm
Operating pressure	5 bar
Motor	0.55 kW
Hose diameter	32 mm
Nominal speed	26 rpm
Output	1.28 l/rev

Materials and connections available

Housing	Steel, stainless steel
Hose	NRH, EPDM, NBR, FDA: EPDM, NBR
Connection	1-1/4" male thread or DN 32 flange
Weight	approx. 105 kg

Performance curve for FHP 32

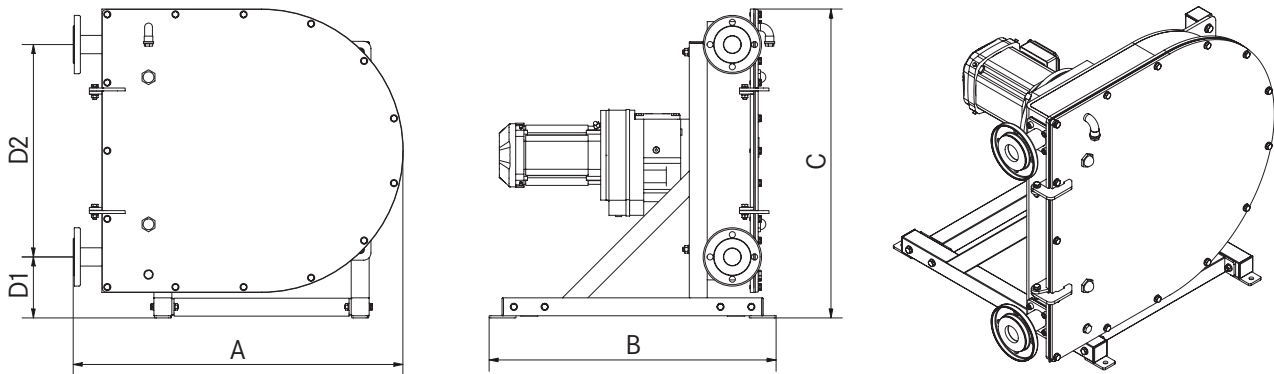


— 1 bar — 3 bar — 5 bar

Technical data sheet

PERIPOWER FHP 40, FHP 50 peristaltic pumps

FHP 40, FHP 50



Model	Size	Dimension A	Dimension B	Dimension C	D1	D2	Weight	Motor
FHP 40	1-1/2"	781	720	771	160	520	140 kg	0.75 kW
FHP 50	2"	920	800	860	165	594	180 kg	1.5 kW

Technical data for FHP 40

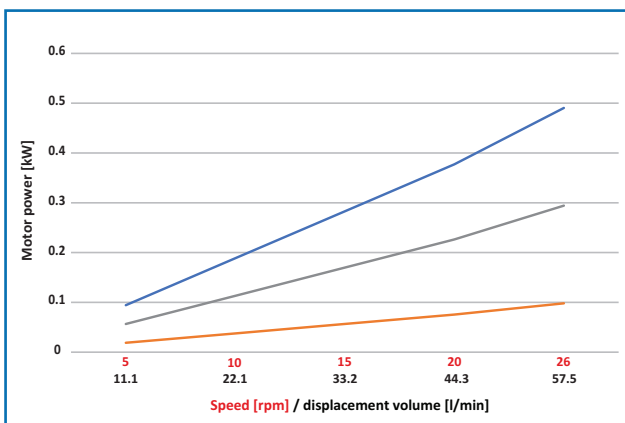
Performance data

Nominal volumetric flow	3000 l/h at 26 rpm
Operating pressure	5 bar
Motor	0.75 kW
Hose diameter	40 mm
Nominal speed	26 rpm
Output	1.92 l/rev

Materials and connections available

Housing	Steel, stainless steel
Hose	NRH, EPDM, NBR, FDA: EPDM, NBR
Connection	1-1/2" male thread or DN 40 flange
Weight	approx. 140 kg

Performance curve for FHP 40



Technical data for FHP 50

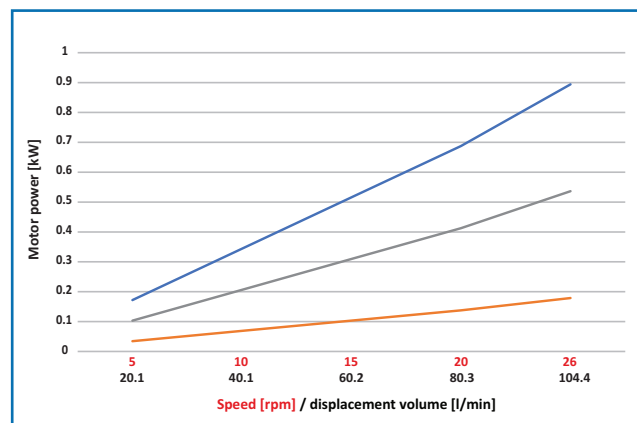
Performance data

Nominal volumetric flow	6000 l/h at 26 rpm
Operating pressure	5 bar
Motor	1.5 kW
Hose diameter	50 mm
Nominal speed	26 rpm
Output	3.85 l/rev

Materials and connections available

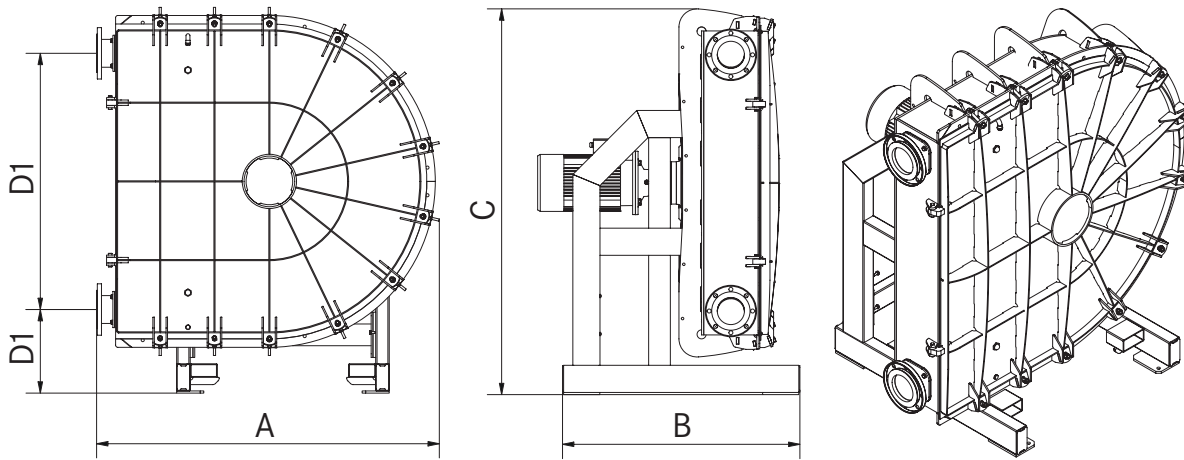
Housing	Steel, stainless steel
Hose	NRH, EPDM, NBR, FDA: EPDM, NBR
Connection	2" male thread or DN 50 flange
Weight	approx. 180 kg

Performance curve for FHP 50



Technical data sheet

PERIPOWER FHP 65, FHP 80 peristaltic pumps



Model	Size	Dimension A	Dimension B	Dimension C	D1	D2	Weight	Motor
FHP 65	2-1/2"	1125	1000	1090	220	720	265 kg	2.2 kW
FHP 80	3"	1230	1063	1245	235	860	500 kg	4.0 kW

Technical data for FHP 65

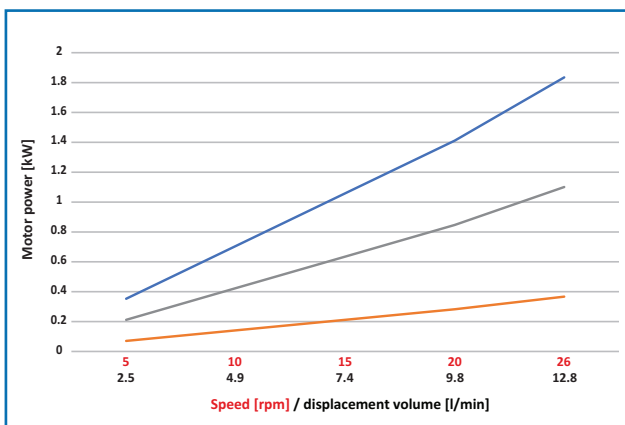
Performance data

Nominal volumetric flow	12 m ³ /h at 26 rpm
Operating pressure	5 bar
Motor	2.2 kW
Hose diameter	65 mm
Nominal speed	26 rpm
Output	7.69 l/rev

Materials and connections available

Housing	Steel, stainless steel
Hose	NRH, EPDM, NBR, FDA: EPDM, NBR
Connection	2-1/2" male thread or DN 65 flange
Weight	approx. 265 kg

Performance curve for FHP 65



— 1 bar — 3 bar — 5 bar

Technical data for FHP 80

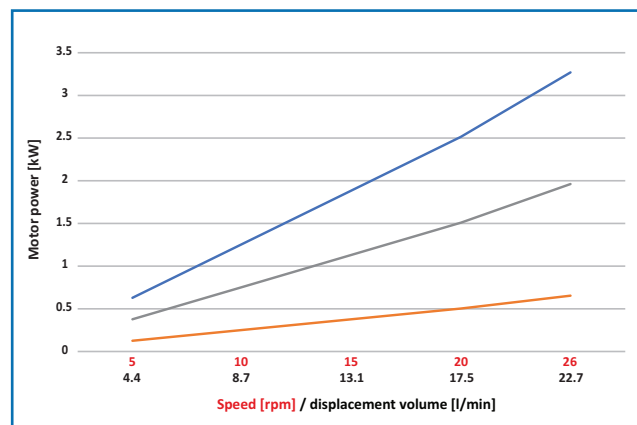
Performance data

Nominal volumetric flow	20 m ³ /h at 26 rpm
Operating pressure	5 bar
Motor	4.0 kW
Hose diameter	80 mm
Nominal speed	26 rpm
Output	12.82 l/rev

Materials and connections available

Housing	Steel, stainless steel
Hose	NRH, EPDM, NBR, FDA: EPDM, NBR
Connection	3" male thread or DN 80 flange
Weight	approx. 500 kg

Performance curve for FHP 80

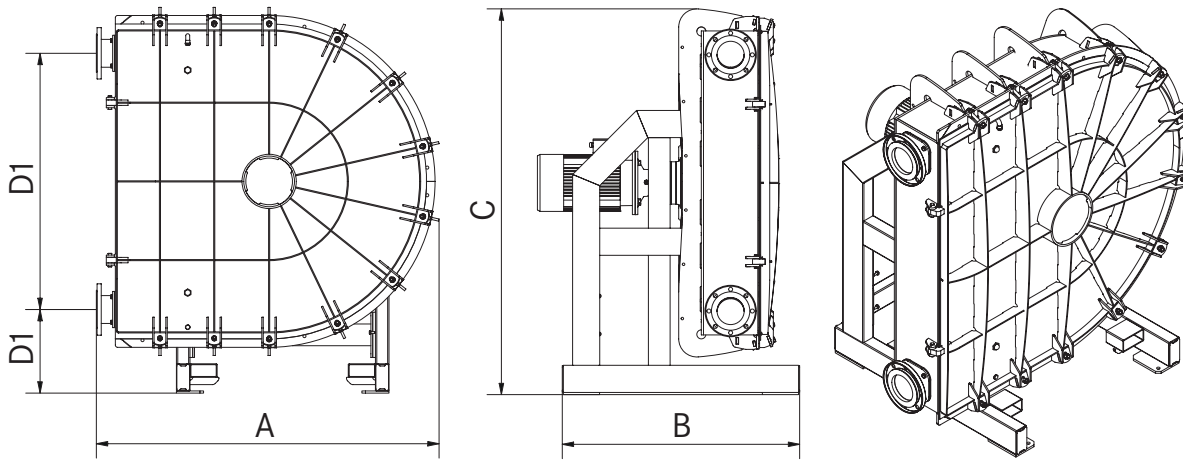


— 1 bar — 3 bar — 5 bar

Technical data sheet

PERIPOWER FHP 100, FHP 125 peristaltic pumps

FHP 100, FHP 125



Model	Size	Dimension A	Dimension B	Dimension C	D1	D2	Weight	Motor
FHP 100	4"	1520	1156	1642	367	1090	700 kg	7.5 kW
FHP 125	5"	1743	1455	1816	400	1200	1300 kg	11 kW

Technical data for FHP 100

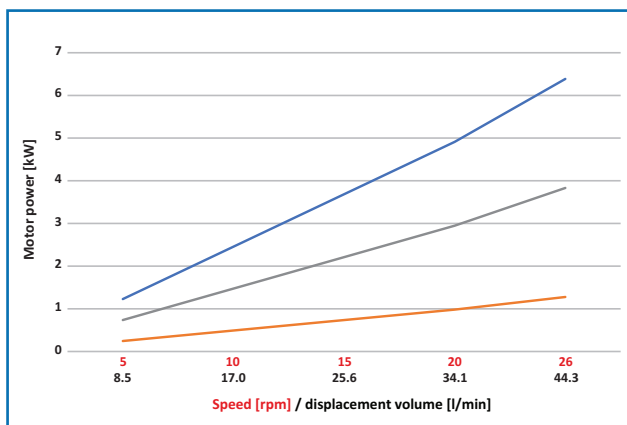
Performance data

Nominal volumetric flow	40 m ³ /h at 5 bar
Operating pressure	5 bar 10 bar
Motor	7.5 kW 15 kW
Hose diameter	100 mm
Nominal speed	26 rpm
Output	25.64 l/rev

Materials and connections available

Housing	Steel, stainless steel
Hose	NRH, EPDM, NBR, FDA: EPDM, NBR
Connection	4" male thread or DN 100 flange
Weight	approx. 700 kg

Performance curve for FHP 100



Technical data for FHP 125

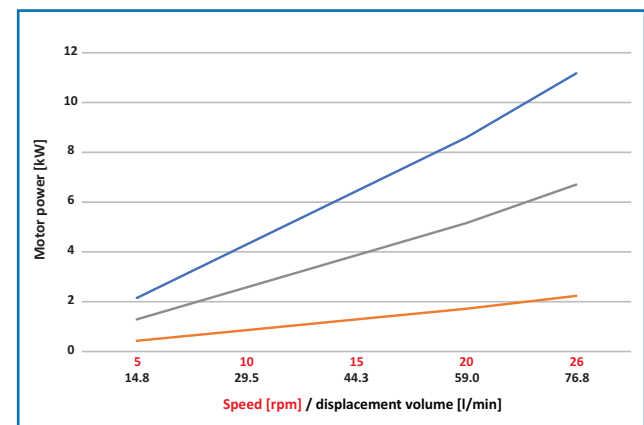
Performance data

Nominal volumetric flow	70 m ³ /h at 26 rpm
Operating pressure	5 bar 10 bar
Motor	11 kW 22 kW
Hose diameter	125 mm
Nominal speed	26 rpm
Output	44.87 l/rev

Materials and connections available

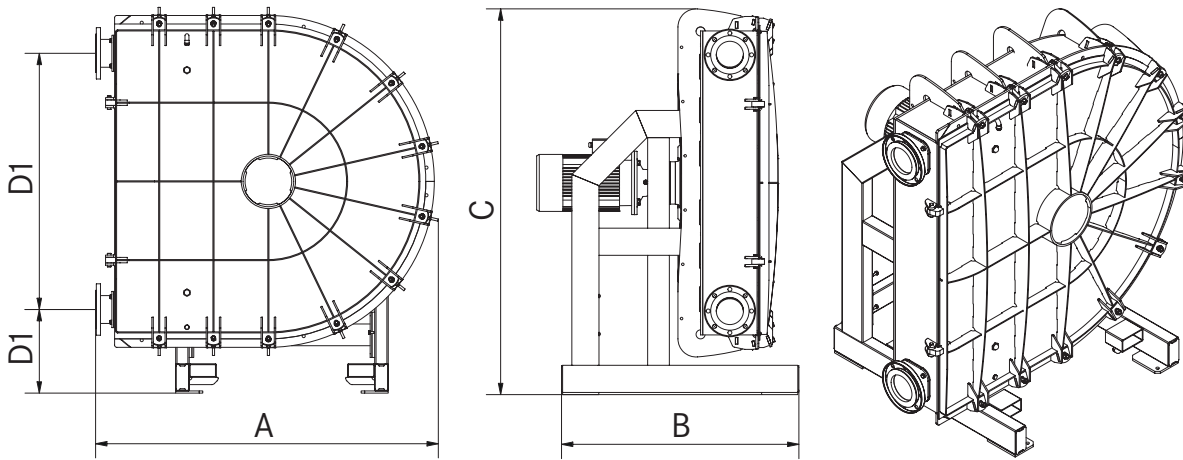
Housing	Steel, stainless steel
Hose	NRH, EPDM, NBR, FDA: EPDM, NBR
Connection	5" male thread or DN 125 flange
Weight	approx. 1300 kg

Performance curve for FHP 125



Technical data sheet

PERIPOWER FHP 150, FHP 200 peristaltic pumps



Model	Size	Dimension A	Dimension B	Dimension C	D1	D2	Weight	Motor
FHP 150	6"	1895	1590	2132	461	1420	1800 kg	15/18 kW
FHP 200	8"	2744	1944	2909	527	1970	4500 kg	37/45 kW

Technical data for FHP 150

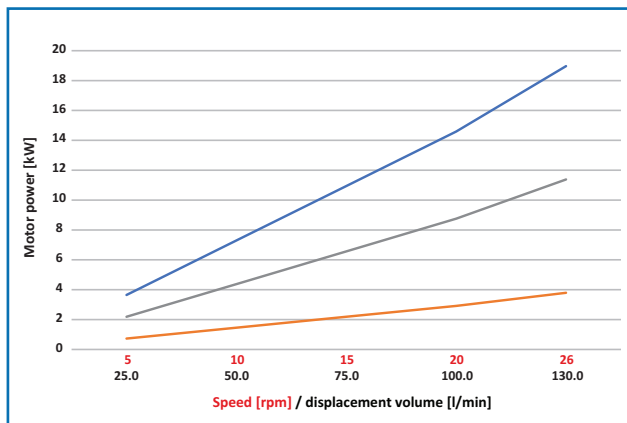
Performance data

Nominal volumetric flow	120 m ³ /h at 26 rpm
Operating pressure	5 bar 10 bar
Motor	15 / 18 kW 37 kW
Hose diameter	150 mm
Nominal speed	26 rpm
Output	76.92 l/rev

Materials and connections available

Housing	Steel, stainless steel
Hose	NRH, EPDM, NBR, FDA: EPDM, NBR
Connection	6" male thread or DN 150 flange
Weight	approx. 1800 kg

Performance curve for FHP 150



— 1 bar — 3 bar — 5 bar

Technical data for FHP 200

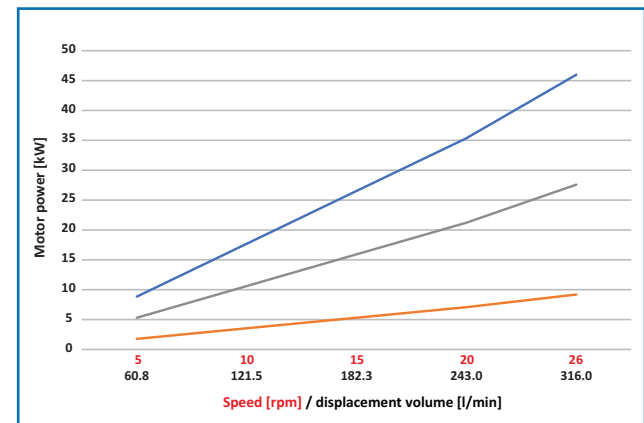
Performance data

Nominal volumetric flow	300 m ³ /h at 26 rpm
Operating pressure	5 bar 10 bar
Motor	37 kW / 45 kW 90 kW
Hose diameter	200 mm
Nominal speed	26 rpm
Output	192.31 l/rev

Materials and connections available

Housing	Steel, stainless steel
Hose	NRH, EPDM, NBR, FDA: EPDM, NBR
Connection	8" male thread or DN 200 flange
Weight	approx. 8000 kg

Performance curve for FHP 200



— 1 bar — 3 bar — 5 bar

FHP 150, FHP 200

Technical data sheet

Available as options

▶ **Pulsation damper:**

The pulsation damper ensures an even flow rate and effectively reduces peaks in pressure. By reducing pulsations, the pulsation damper helps to extend the service life of pump components and optimises metering accuracy in a multitude of industrial applications.

▶ **FHP-25 version with hose rupture sensor as of a nominal size:**

Using the hose rupture sensor allows a damaged hose to be detected immediately and the pump to be shut down. This improves system safety and prevents medium from escaping into the environment.

▶ **Frequency converter:**

Using frequency converters together with peristaltic pumps is an effective way of optimising the pumps' output and your ability to control them. Adjusting the motor speed by means of the frequency converter allows the delivery quantity and pressure of the peristaltic pump to be controlled precisely, which enables you to flexibly adapt to different requirements and operating conditions.

▶ **Control unit:**

A control unit enables efficient and reliable pump control on the pump itself and optimises operating processes.

▶ **FHP-100 version with vacuum pump as of a nominal size:**

For a greater suction height of up to 9 mwc, a vacuum is produced in the housing. As a result, the peristaltic pump produces greater suction on the suction side and the max. suction height increases from 5 to 9 mwc.

▶ **FHP-100 version with greater motor power as of a nominal size:**

Max. pressure increases to 10 bar thanks to a reinforced gearbox with greater motor power.